



**ASHOK LEYLAND**

# STALLION 4x4

## DIMENSIONS (mm)

Wheel Base	4500
Overall Length	7395
Overall Height	3000
Overall Width	2500
Ground Clearance	305
Angle of Approach/Departure	35° / 35°

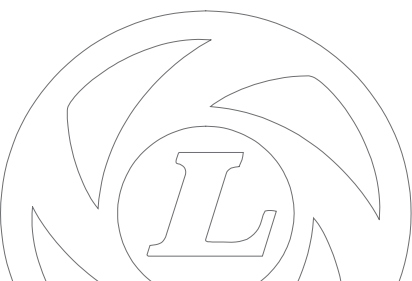
	5T	7.5T
<b>WEIGHTS (kg)</b>		
Unladen	7200	7200
Laden	12200	14700
Payload	5000	7500

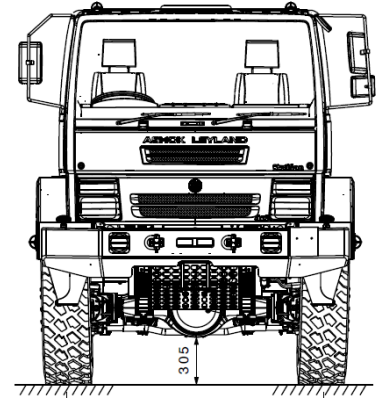
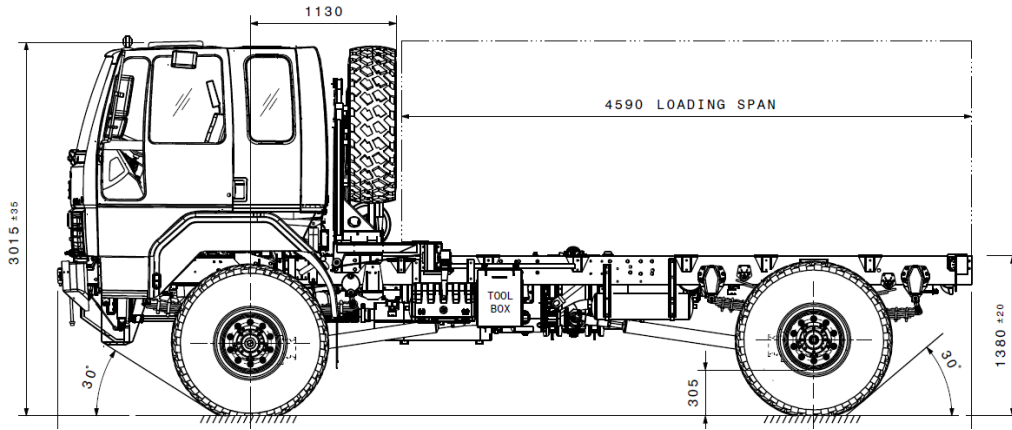
## PERFORMANCE

Max. Powered Speed	90 kmph
Max. Gradeability	30°
Min. Turning Circle Diameter	18.5 m
Side Slope Stability	15°

## CONFIGURATION

Drive	RHD
Transmission	Manual / Automatic





### ENGINE – OPTION I

Power	135 kW (180 hp) at 2400 rpm
Torque	660 Nm at 1600 – 1800 rpm
Fuel Tank Capacity	160 Litres x 2

### ENGINE – OPTION II

Power	165 kW (230 hp) at 2500 rpm
Torque	800 Nm at 1400 – 1900 rpm
Fuel Tank Capacity	250 Litres

### CLUTCH

Type	Diaphragm pull type
------	---------------------

### GEAR BOX

Type	Manual 6 speed / Automatic
------	----------------------------

### TRANSFER CASE

Type	Twin speed
------	------------

### AXLES

Type	Fully floating single speed with diff lock
------	--

### SUSPENSION

Type	Semi-Elliptical Multi-Leaf
------	----------------------------

### STEERING

Type	Integral power Steering
------	-------------------------

### BRAKES

Type	Dual Line – Full air brakes
------	-----------------------------

### ELECTRICAL SYSTEM

System voltage	24V
Batteries	130AH

### WHEELS & TYRES

Tyre Size	355/90 x 20 or 12.00 R 20 or 14.00 x 20
-----------	---

### CAB

Type	Sleeper Cab
------	-------------

### Optional

- Air Conditioning
- Day Cab

*Note: Ashok Leyland Ltd. has a policy of continual product improvement. The specifications / images shown here are indicative and are subject to change without prior notice.*