



ASHOK LEYLAND

STALLION 4x4 (LHD)

DIMENSIONS (mm)

Wheel Base	4500
Overall Length	7425
Overall Height	3110 (over body)
Overall Width	2500
Ground Clearance at Front and Rear	350
Angle of Approach/Departure	30°/ 30°

WEIGHTS (kg)

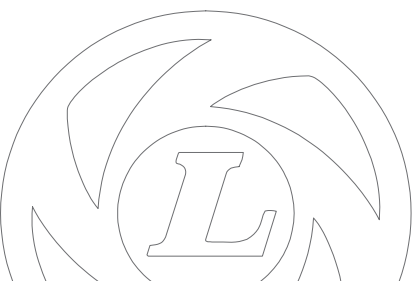
Unladen (Cab + Chassis + Platform)	7750
Laden (GVW)	12750
Payload	5000

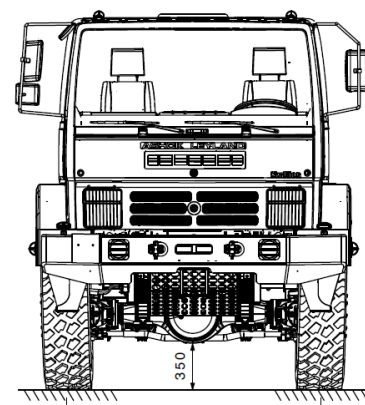
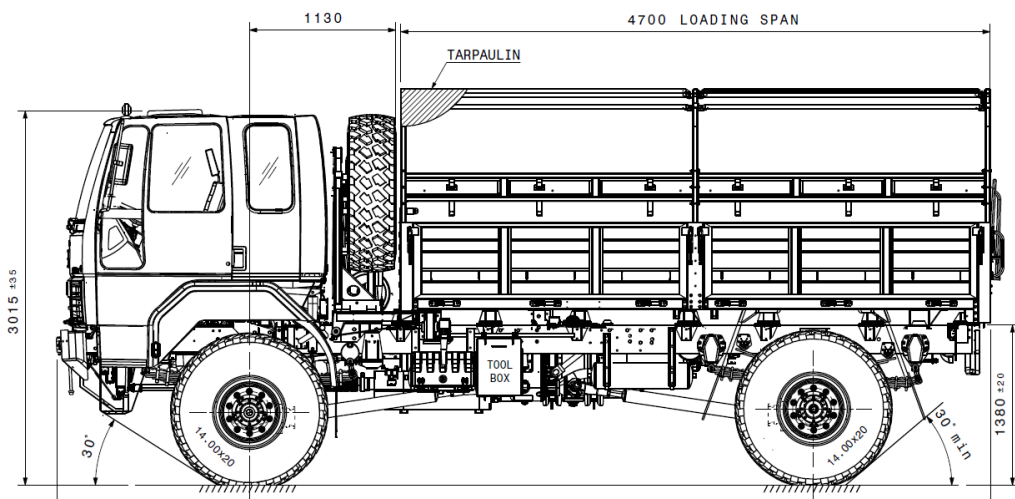
PERFORMANCE

Max Speed (Geared)	100 kmph
Max. Gradeability	25°
Min. Turning Circle Diameter(TCD)	18.5 m

CONFIGURATION

Drive	LHD
-------	-----





ENGINE

Power	221 hp (165 kW) at 2500 rpm
Torque	800 Nm at 1400 – 1900 rpm
Fuel Tank Capacity	250 litres

GEAR BOX

Type	Manual 6 speed
------	----------------

REAR AXLE

Type	Fully floating single speed, With Diff lock
------	---

TRANSFER CASE

Type	Twin speed
------	------------

FRONT AXLE

Type	Fully floating single speed, Driven axle, steerable
------	---

SUSPENSION

Type	Semi-elliptic multi leaf spring at front & rear
------	---

STEERING

Type	Integral Power Steering LH
------	----------------------------

BRAKES

Type	Full Air - Dual Line
------	----------------------

ELECTRICAL SYSTEM

System Voltage	24 V
Batteries	150 AH

WHEELS & TYRES

Tyre Size	14.00 x 20 -22 PR SCH, Tube Tyre
-----------	----------------------------------

CAB

Sleeper Cabin, AC provision - optional

Note: Ashok Leyland Ltd. has a policy of continual product improvement. The specifications shown here are indicative and are subject to change without prior notice.