



ASHOK LEYLAND

SUPER STALLION 6x6

Field Artillery Tractor

DIMENSIONS (mm)

Wheel Base	4660
Overall Length	8535
Overall Height	3230
Overall Width	2500
Ground Clearance	400
Angle of Approach/Departure	35°/ 35°

WEIGHTS (kg)

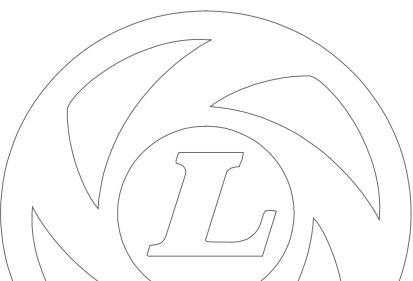
Unladen	13752
Laden	21402
Payload	8000

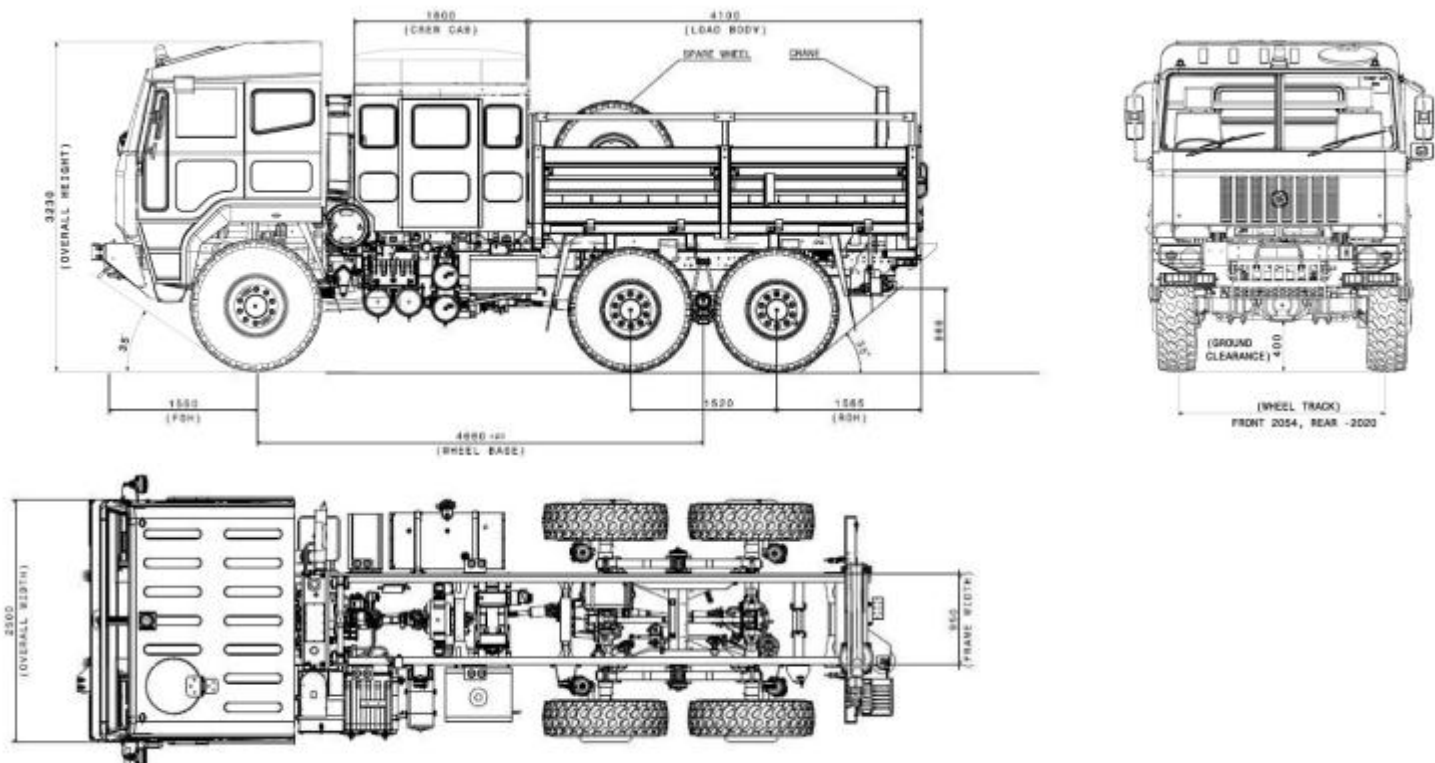
PERFORMANCE

Max. Powered Speed	86 kmph
Max. Gradeability	30°
Min. Turning Circle Diameter	23 m

CONFIGURATION

Drive	LHD / RHD
-------	-----------





ENGINE	
Power	265 kW (360 hp) at 2200 rpm
Torque	1400 Nm at 1300 – 1500 rpm
Fuel Tank Capacity	350 Litres
CLUTCH	
Type	Diaphragm pull type
GEAR BOX	
Type	Manual 9 speed / Automatic
TRANSFER CASE	
Type	Twin speed
AXLES	
Type	Hub reduction axles with provision for inter-axle lock and inter wheel differential lock & CTIS.

SUSPENSION	
Type	Front: Parabolic Rear: Bogie

STEERING	
Type	Integral power Steering

BRAKES	
Type	Dual Line – Full air brakes

ELECTRICAL SYSTEM	
System voltage	24V
Batteries	150AH / 200 AH

WHEELS & TYRES	
Tyre Size	14.00 x 20

CAB	
Air conditioned Cab and Crew Cab. Observation hatch over co driver seat. Bucket type seats. Brackets for placing weapons of driver and co-driver.	

Note: Ashok Leyland Ltd. has a policy of continual product improvement. The specifications shown here are indicative and are subject to change without prior notice.